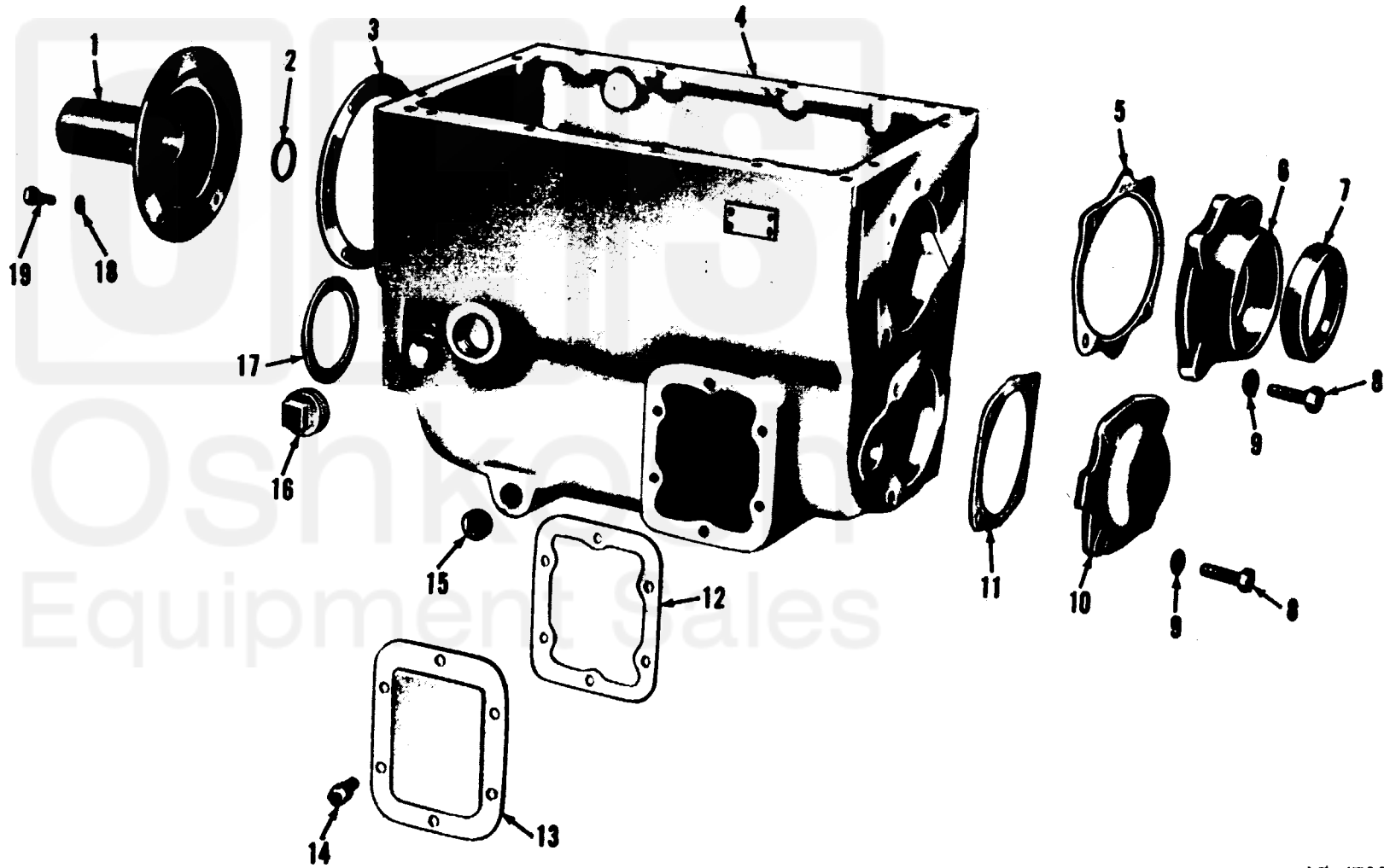


(1) SMR Code	(2) Federal Stock Number	(3) DESCRIPTION	(4) UNIT	(5) Qty	(6) 30-day DS maint	(7) 30-day GS maint	(8) 1-yr Depot	(9) Illustration	(10) Figure	(11) Item				
Code	Stock Number	DESCRIPTION	of meas	inc. in Unit	allowance	allowance	alw	maint	per equip	100				
					(a)	(b)	(c)	(a)	(b)	(c)				
		Reference Number & Mfr. Code		Usable On Code	1-20	21-50	51-100	1-20	21-50	51-100	gcy			
		0613-HULL OR CHASSIS WIRING HARNES-CONTINUED NON-ILLUSTRATED-CONTINUED												
P-O	5945-296-8464	FLASHER, THERMAL: 103646R91 (31007)	A	EA	R1	*	*	*	*	*	4	8		
P-O	5975-504-8992	CAP, ELECTRICAL: SLIP RING 10876367 (19207)	BD	EA	3	*	*	*	*	*	4	8		
P-O	5977-504-8967	HOLDER, ELECTRICAL, CONTACT BRUSH: SLIP RING PLATE SUPPORT 10876136 (19207)	BD	EA	3	*	*	*	*	*	4	8		
P-O	6220-512-9216	RING ASSEMBLY, RETAINING: 8735610 (19207)	A	EA	2	*	*	*	*	*	4	8		
		GROUP 07-TRANSMISSION												
		0700-TRANSMISSION ASSEMBLY												
		NOTE. REFER TO GROUP 3301 FOR CONTAINED ASSEMBLY AND ITS COMPONENTS												
P-F-S	2520-971-5016	TRANSMISSION AND CONTAINER: DIESEL 5703065 (19207)	AC	EA	1	*	*	*	*	*	8	10	40	1
P-F-S	2520-971-5015	TRANSMISSION ASSEMBLY: DIESEL 11KBAX3158 (76040)	AC	EA	1	*	*	*	*	*			40	2
P-F-S	2520-973-4086	TRANSMISSION AND CONTAINER: GASOLINE AND MULTIFUEL 5703527 (19207)	AA, AB	EA	1	*	*	*	*	*	8	10	41	1
P-F-S	2520-692-6175	TRANSMISSION, MECHANICAL: GAS AND MULTIFUEL 8333605 (19207)	AA, AB	EA	1	*	*	*	*	*			41	2
P-F	5305-269-3213	SCREW, CAP, HEXAGON: TRANSMISSION MS90725-62 (96906)	A	EA	12	*	*	*	*	*	8	10	41	3
P-F	5310-637-9541	WASHER, LOCK: TRANSMISSION MS35338-46 (96906)	A	EA	12	*	*	*	*	*	8	10	41	4
P-F	2520-692-6186	COVER ASSEMBLY, MAINSHAFT: TRANSMISSION 8333613 (19207)	A	EA	1	*	*	*	*	*	2	5	42	1
P-F	5330-612-1186	SEAL, PLAIN, ENCASED: MAIN SHAFT FRONT BEARING COVER 8334012 (19207)	A	EA	1	*	*	*	*	*	24	100	42	2
P-F	2520-734-7592	GASKET: INPUT SHAFT FRONT BEARING COVER (COMPONENT OF GASKET SET, FSN 2520-692-6183) 7347592 (19207)	A	EA	1	*	*	*	*	*	10		42	3



AT 47182

Figure 42. Transmission case and attaching parts.